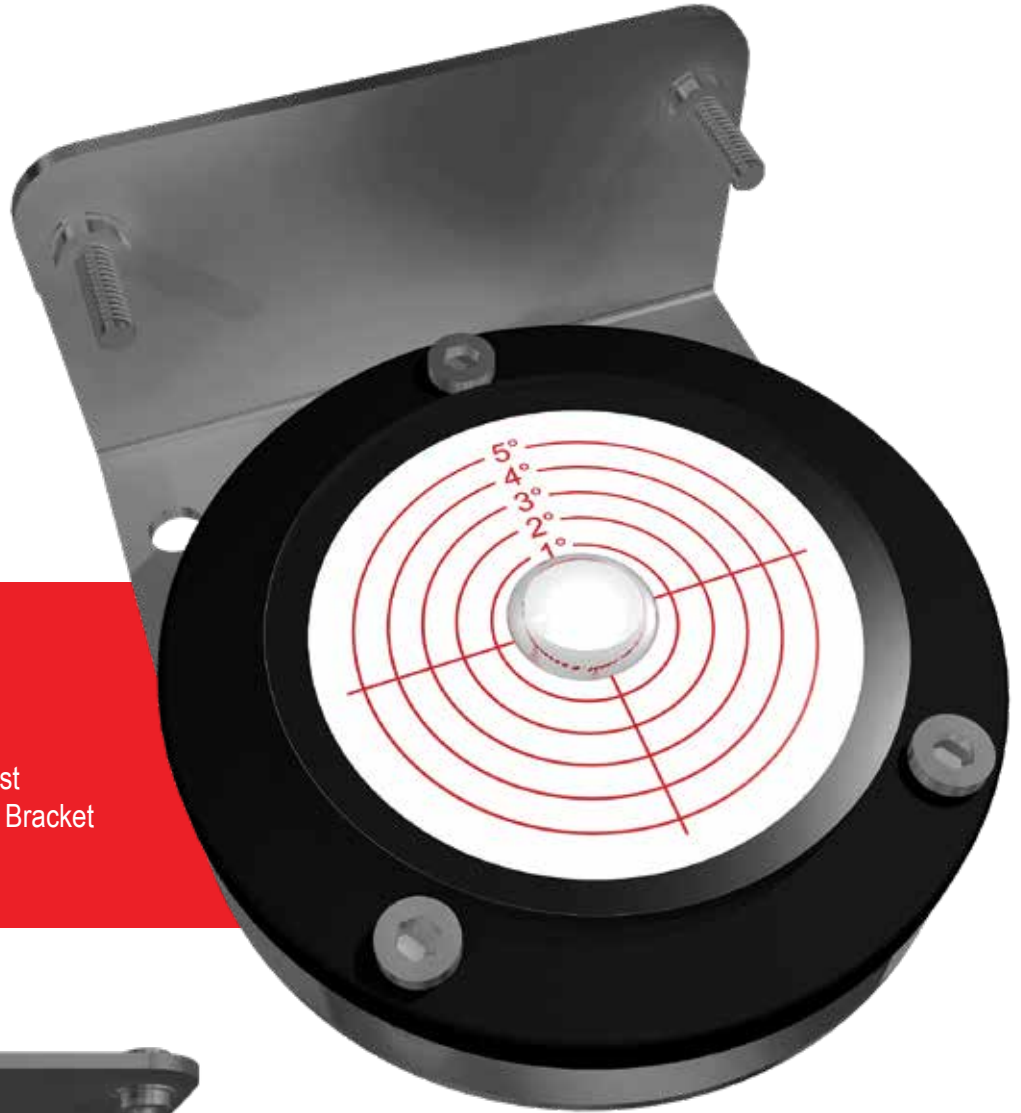


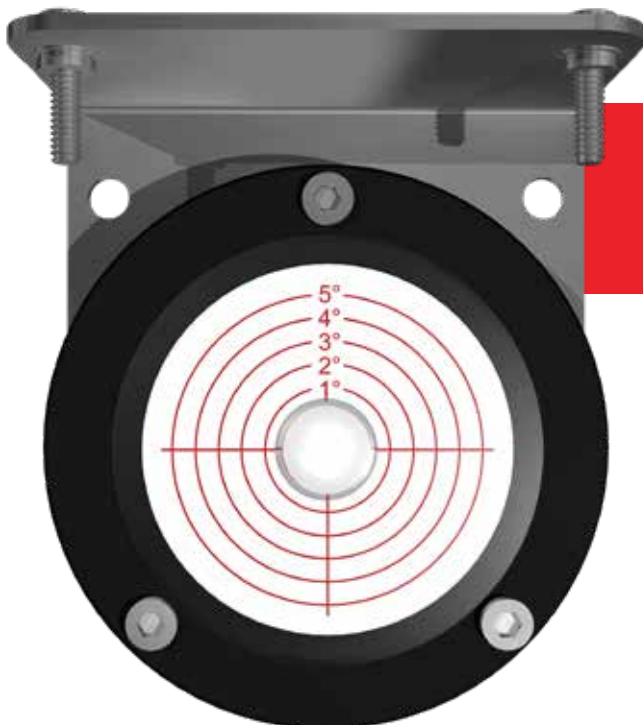


PLASTIC CIRCULAR LEVEL Ø100MM | RANGE ±5°



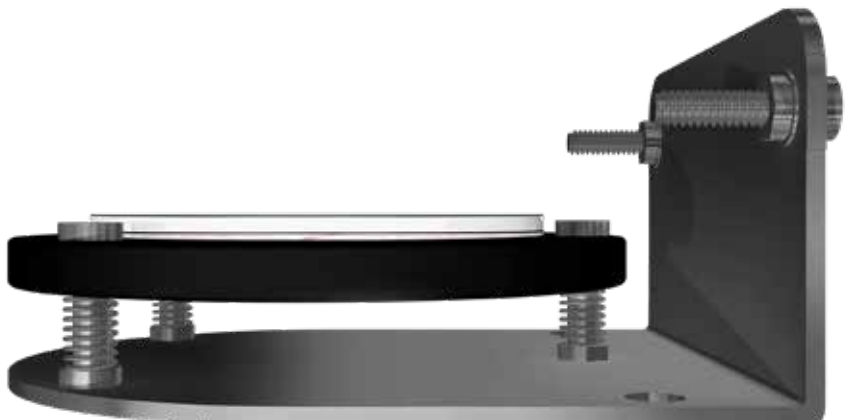
FEATURES

- Measure level and angle up to 5°
- Waterproof finish
- High strength plastic vial
- Black base gives good bubble contrast
- Heavy duty Stainless Steel Mounting Bracket
- Level adjustment fine trim feature
- Universal mounting bracket

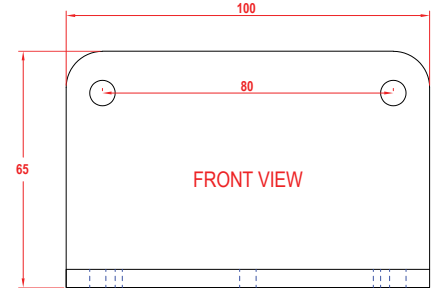
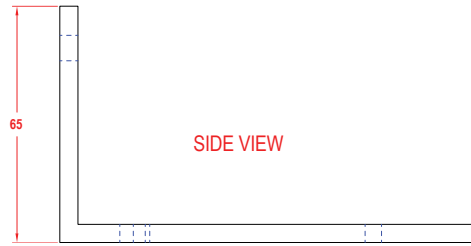
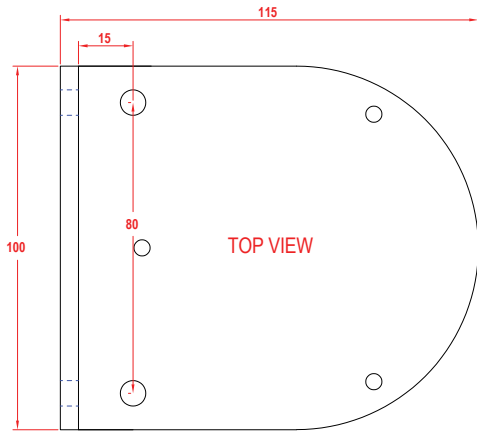


APPLICATIONS

- Mobile crane levelling
- Platform levelling
- Industrial vehicle levelling



BUBBLE LEVEL BRACKET DIMENSIONS



PRODUCT SPECIFICATIONS

GENERAL SPECIFICATIONS

Parameter	Value	Unit
Diameter	100	mm
Sensitivity	1	Degrees per 4mm
Vial Material	PMMA	-
Case Material	PC ABS	-
Mounting Method	Screw to surface	-
Bubble Size	12.1	mm
Ring Diameter	13	mm
Ring Colour	Red	-
Liquid Colour	Clear	-

MECHANICAL

Dimension	Value	Unit
Overall Diameter	100	mm
Body Diameter	75	mm
Overall Height	14.5	mm
Flange Height	10	mm
Weight with Stainless Steel Mounting Bracket	700	Grams
Overall Length with Bracket	115	mm
Overall Width with Bracket	100	mm
Overall Height with Bracket	65	mm

ENVIRONMENTAL

Parameter	Value	Unit
Operational Temperature Range	-10 to 50	°C
Storage Temperature Range	-20 to 60	°C

QUALITY



Management System
ISO 9001:2015



www.tuv.com
ID 9105087034

CERTIFICATIONS

RoHS Compliance Certificate
REACH Compliance Certificate
Conflict Minerals Certificate

